



# Three Pieces Ball Valves 1000 WOG

Size 1/4" – 4" (DN 10 -100) Stainless Steel



## Fig. 143

# FULL BORE

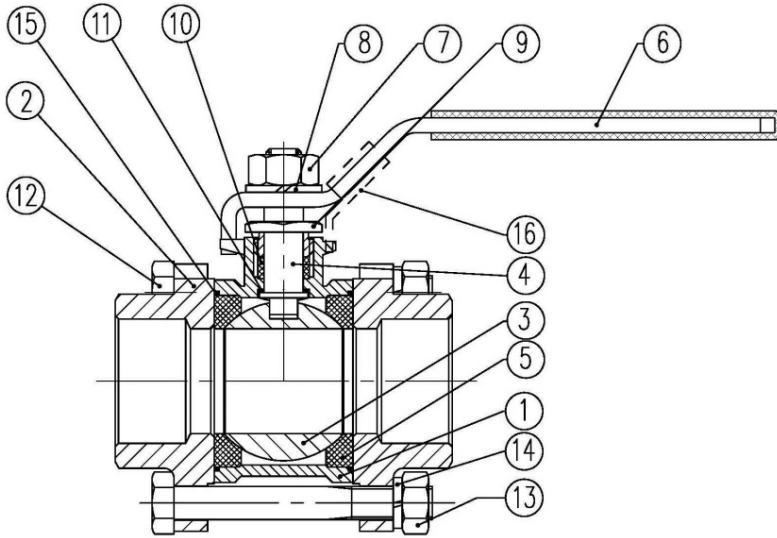
Butt Weld according:  
ASME B16.25 & DIN 3239 part 1

CE

# Three Pieces Ball Valves 1000 WOG

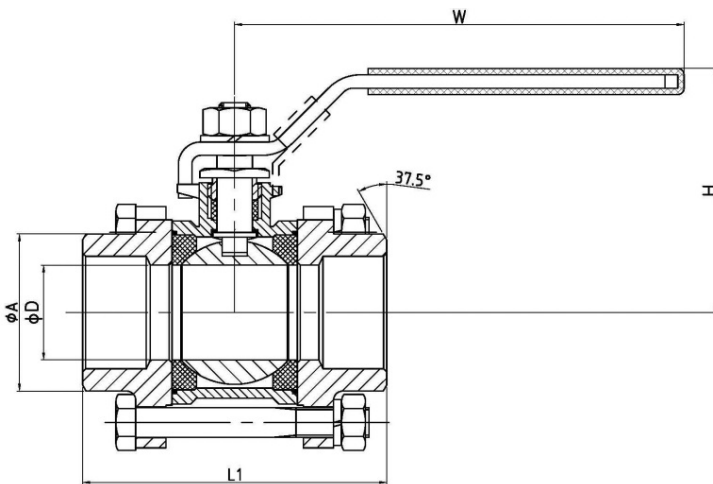
## Parts and materials, Dimensions

### Parts and materials



Ite	Description	Material
1	Body	1.4408
2	Body connector	1.4408
3	Ball	1.4408
4	Stem	1.4401
5	Seat ring	PTFE
6	Wrench	AISI 304
7	Wrench Nut	AISI 304
8	Wrench	AISI 304
9	Gland	AISI 304
10	Gland packing	PTFE
11	Stem thrust	PTFE
12	Bolt	1.4301
13	Nut	1.4301
14	Washer	AISI 304
15	Seat Gasket	PTFE
16	Lock Device	AISI 304

### Dimensions



SIZE	ØA	ØD	L1	W	H	WEIGHT
1/4" (DN 10)	18	9	60,4	94	46	0,31
3/8" (DN 12)	19,5	11	60,4	94	46	0,35
1/2" (DN 15)	23	15	66,4	104	50	0,41
3/4" (DN 20)	28,8	20	80,2	113	60	0,7
1" (DN 25)	34,8	25	84,2	128	65	1,2
1 1/4" (DN 32)	45	32	103,6	156	79	2
1 1/2" (DN 40)	51	38	111,4	156	83	2,5
2" (DN 50)	62,5	50	132	194	99	3,7
2 1/2" (DN 65)	77	64	164,2	246	128	7,4
3" (DN 80)	94	76	182	246	133	12,8
4" (DN 100)	116	94	226,8	317	175	23

(\* Dimensions in mm and weight in kg.

#### Note:

Dimensions not subject to International Standards can vary in  $\pm 10\%$ . ICP reserves the right to change those dimensions without notice, due to they do not affect integrity and performance of the valves.



# Three Pieces Ball Valves 1000 WOG

Torque, Kv, P&T Rating

## Torque Values in Nm

VALVE SIZE	AT DIFFERENTIAL PRESSURE		VALVE SIZE	AT DIFFERENTIAL PRESSURE	
	63 bar			25 bar	
1/4" (DN 10)	5,6		2 1/2" (DN 65)	73,2	
3/8" (DN 12)	5,6		3" (DN 80)	128,8	
1/2" (DN 15)	9		4" (DN 100)	165,4	
3/4" (DN 20)	11,3				
1" (DN 25)	14,7				
1 1/4" (DN 32)	19,2				
1 1/2" (DN 40)	24,9				
2" (DN 50)	45,2				

## Kv Values in m<sup>3</sup>/h

VALVE SIZE	Kv	VALVE SIZE	Kv
1/4" (DN 10)	6,6	1 1/2" (DN 40)	80,0
3/8" (DN 12)	6,6	2" (DN 50)	150,0
1/2" (DN 15)	11,2	2 1/2" (DN 65)	265,0
3/4" (DN 20)	21,0	3" (DN 80)	415,0
1" (DN 25)	34,0	4" (DN 100)	780,0
1 1/4" (DN 32)	57,0		

## Pressure-Temperature

P Bar

