



# Three Pieces Ball Valves IMF 1000 WOG

Size 1/4" – 4" (DN 10 -100) Stainless Steel



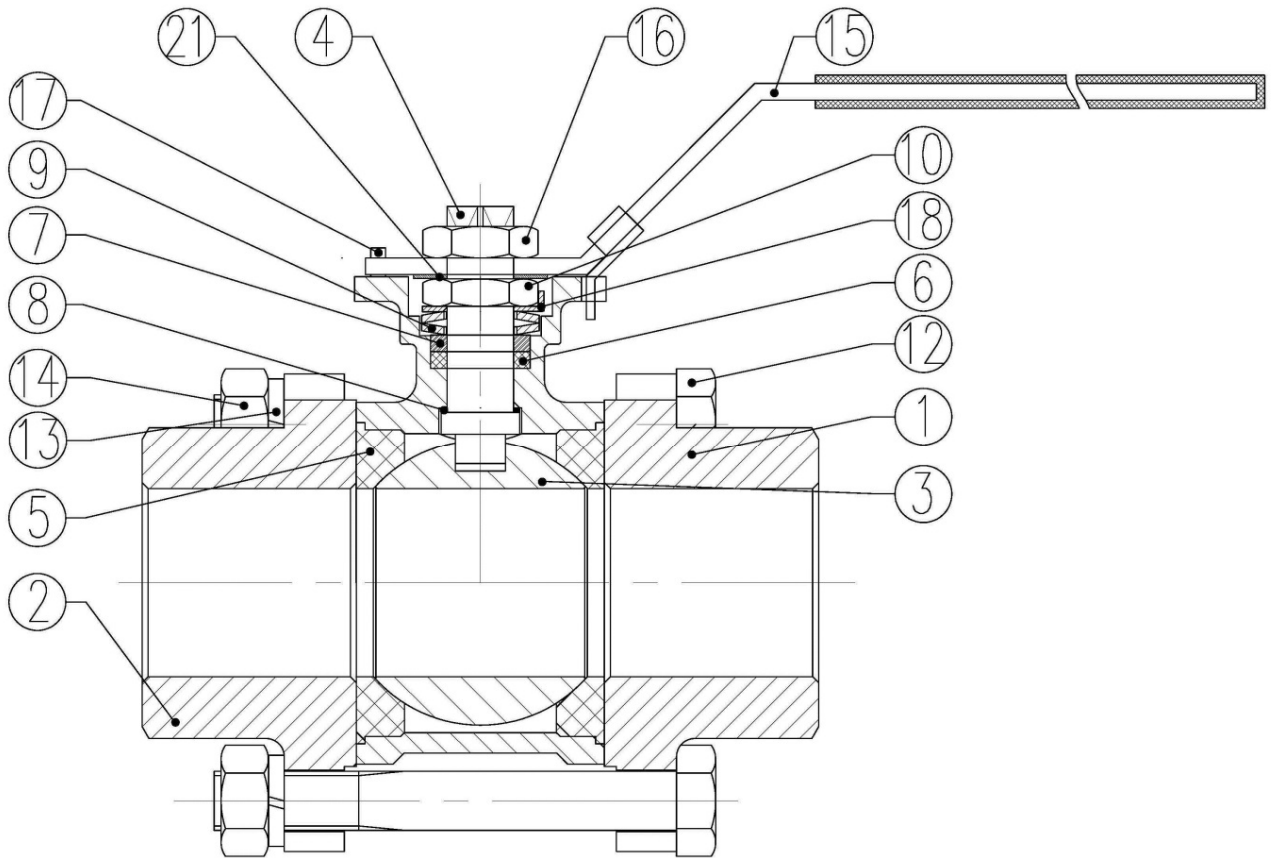
## Fig. 143IMF FULL BORE

Butt Weld according:  
ASME B16.25 & DIN 3239 part 1



# Three Pieces Ball Valves IMF 1000 WOG

## Parts and materials

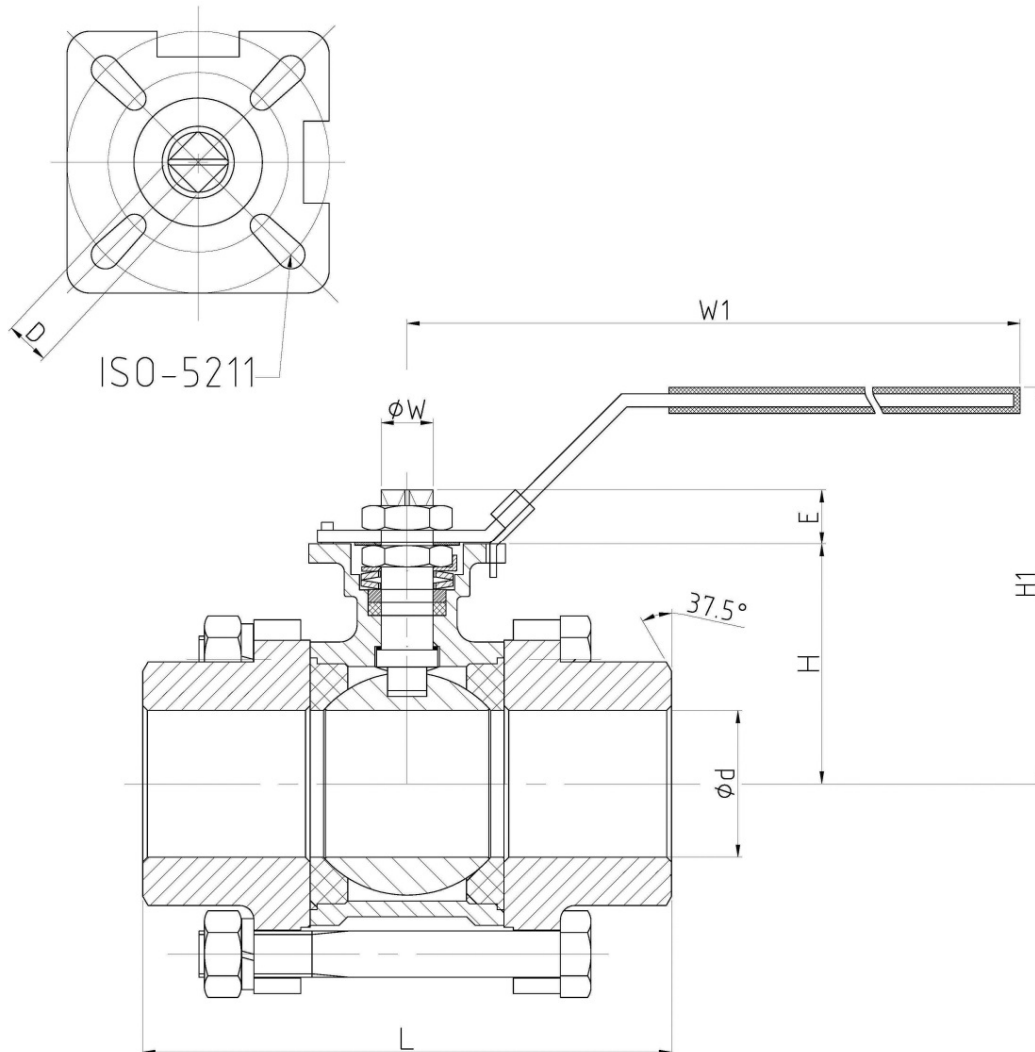


Item	Description	Material
1	Body	1.4408
2	Body connector	1.4408
3	Ball	1.4408
4	Stem	1.4401
5	Seat ring	PTFE
6	Stem packing	PTFE
7	Ring	AISI 304
8	Seat thrust seal	PTFE
9	Belleville w asher	AISI 304
10	Gland Nut	AISI 304
12	Bolt	1.4301
13	Washer	AISI 304
14	Nut	1.4301
15	Handle	AISI 304+PVC
16	Handle nut	AISI 304
17	Stop pin	AISI 304
18	Locking washer	AISI 304
21	Washer	AISI 304

# Three Pieces Ball Valves IMF

## 1000 WOG

### Dimensions



### Dimensions

SIZE	Ød	L1	W1	H1	H	E	D	ISO 5211	WEIGHT
1/4" (DN 10)	10,8	60	143	70	38,5	9	9	F04/03	0,59
3/8" (DN 12)	12,5	60	143	70	38,5	9	9	F04/03	0,58
1/2" (DN 15)	15	70	143	70	38,5	9	9	F04/03	0,57
3/4" (DN 20)	20	85	143	79	47,5	9	9	F04/03	0,71
1" (DN 25)	25	95	163	95	59	11	11	F05/04	1,03
1 1/4" (DN 32)	32	110	163	95	63,5	11	11	F05/04	1,56
1 1/2" (DN 40)	38	120	188	116	79	15	14	F07/05	2,5
2" (DN 50)	50	142	188	124	86,5	15	14	F07/05	3,44
2 1/2" (DN 65)	64	166	350	141	109,1	17	17	F10/07	6,4
3" (DN 80)	76	182	350	149	117	17	17	F10/07	11,2
4" (DN 100)	94	227	350	173	136	22	22	F12/10	22

(\*) Dimensions in mm and weight in kg.

#### Note:

Dimensions not subject to International Standards can vary in  $\pm 10\%$ . ICP reserves the right to change those dimensions without notice, due to they do not affect integrity and performance of the valves.



# Three Pieces Ball Valves IMF 1000 WOG

Torque, Kv, P&T Rating, Actreg Actuator

## Torque Values in Nm

VALVE SIZE	AT DIFFERENTIAL PRESSURE		VALVE SIZE	AT DIFFERENTIAL PRESSURE	
	63 bar			25 bar	
¼" (DN 10)	4,9		2½" (DN 65)	58,3	
⅜" (DN 12)	4,9		3" (DN 80)	86,8	
½" (DN 15)	4,9		4" (DN 100)	122,6	
¾" (DN 20)	6,5				
1" (DN 25)	13,7				
1¼" (DN 32)	21,6				
1½" (DN 40)	29,5				
2" (DN 50)	47				

## Kv Values in m<sup>3</sup>/h

VALVE SIZE	Kv	VALVE SIZE	Kv
¼" (DN 10)	6,6	1½" (DN 40)	80,0
⅜" (DN 12)	6,6	2" (DN 50)	150,0
½" (DN 15)	11,2	2½" (DN 65)	265,0
¾" (DN 20)	21,0	3" (DN 80)	415,0
1" (DN 25)	34,0	4" (DN 100)	780,0
1¼" (DN 32)	57,0		

## Pressure-Temperature

P Bar

