



Three Pieces Ball Valves IMF 1000 WOG

Size 1/4" – 4" (DN 10 -100) Stainless Steel



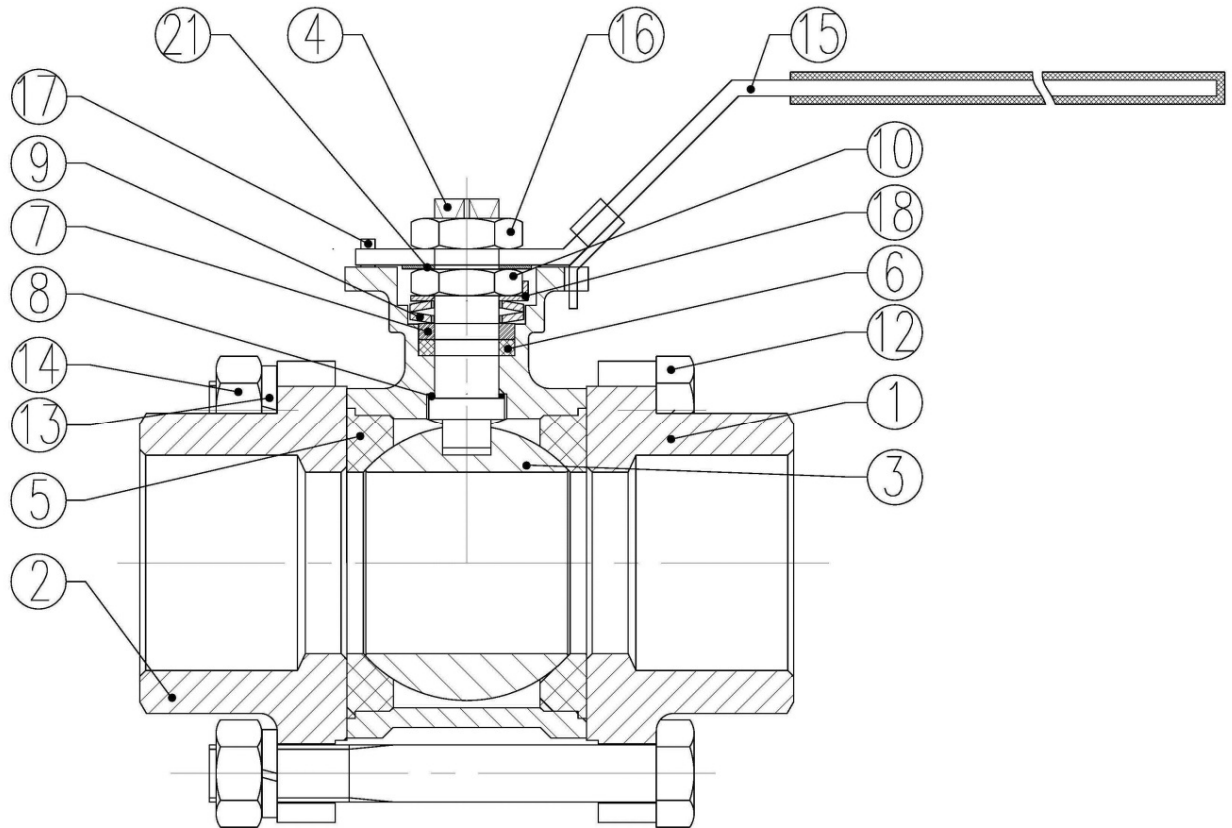
Fig. 142IMF FULL BORE

Socket Weld according:
ASME B16.11 & DIN 3239 part 2



Three Pieces Ball Valves IMF 1000 WOG

Parts and materials

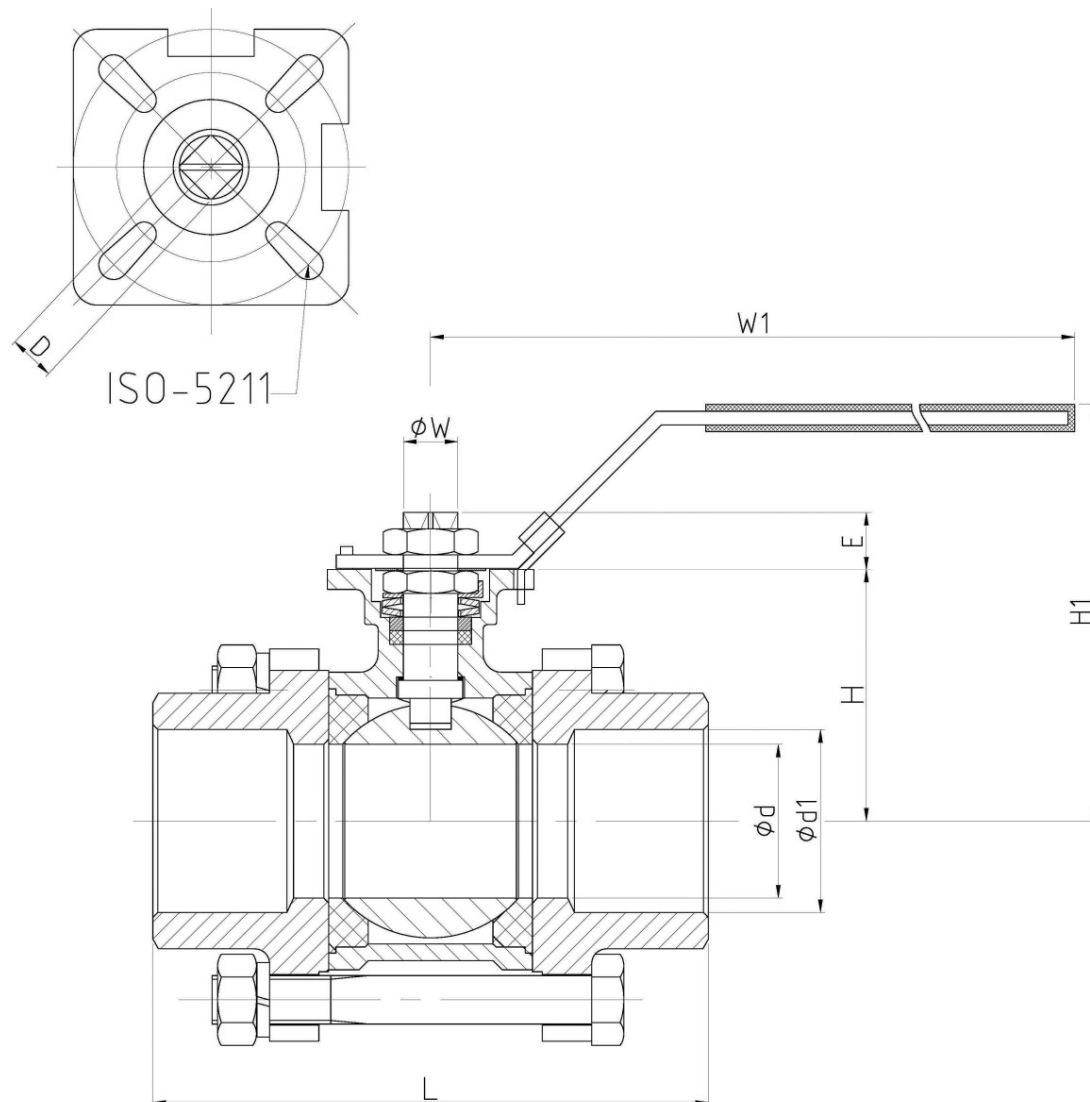


Item	Description	Material
1	Body	1.4408
2	Body connector	1.4408
3	Ball	1.4408
4	Stem	1.4401
5	Seat ring	PTFE
6	Stem packing	PTFE
7	Ring	AISI 304
8	Seat thrust seal	PTFE
9	Belleville w asher	AISI 304
10	Gland Nut	AISI 304
12	Bolt	1.4301
13	Washer	AISI 304
14	Nut	1.4301
15	Handle	AISI 304+PVC
16	Handle nut	AISI 304
17	Stop pin	AISI 304
18	Locking washer	AISI 304
21	Washer	AISI 304

Three Pieces Ball Valves IMF

1000 WOG

Dimensions



Dimensions

SIZE	Ød	Ød1	L	W1	H	H1	E	D	ØW	ISO 5211
¼" (DN 10)	11,6	14,2	55	143	38,5	70	9	9	12	F04/03
⅜" (DN 12)	12,5	17,7	60	143	38,5	70	9	9	12	F04/03
½" (DN 15)	15	21,8	75	143	38,5	70	9	9	12	F04/03
¾" (DN 20)	20	27,2	80	143	47,5	79	9	9	12	F04/03
1" (DN 25)	25	34	90	163	59	95	11	11	14	F05/04
1¼" (DN 32)	32	42,7	110	163	63,5	100	11	11	14	F05/04
1½" (DN 40)	38	48,8	120	188	79	116	15	14	18	F07/05
2" (DN 50)	50	61,2	140	188	86,5	124	15	14	18	F07/05
2½" (DN 65)	64	74	162	350	109,1	141	17	17	22	F10/07
3" (DN 80)	76	90	184	350	117	149	17	17	22	F10/07
4" (DN 100)	94	115,6	228	350	136	173	22	22	28	F12/10

(*) Dimensions in mm and weight in kg.

Note:

Dimensions not subject to International Standards can vary in $\pm 10\%$. ICP reserves the right to change those dimensions without notice, due to they do not affect integrity and performance of the valves.



Three Pieces Ball Valves IMF 1000 WOG

Torque, Kv, P&T Rating, Actreg Actuator

Torque Values in Nm

VALVE SIZE	AT DIFFERENTIAL PRESSURE		VALVE SIZE	AT DIFFERENTIAL PRESSURE	
	63 bar			25 bar	
¼" (DN 10)	4,9		2½" (DN 65)	58,3	
⅜" (DN 12)	4,9		3" (DN 80)	86,8	
½" (DN 15)	4,9		4" (DN 100)	122,6	
¾" (DN 20)	6,5				
1" (DN 25)	13,7				
1¼" (DN 32)	21,6				
1½" (DN 40)	29,5				
2" (DN 50)	47				

Kv Values in m³/h

VALVE SIZE	Kv	VALVE SIZE	Kv
¼" (DN 10)	6,6	1½" (DN 40)	80,0
⅜" (DN 12)	6,6	2" (DN 50)	150,0
½" (DN 15)	11,2	2½" (DN 65)	265,0
¾" (DN 20)	21,0	3" (DN 80)	415,0
1" (DN 25)	34,0	4" (DN 100)	780,0
1¼" (DN 32)	57,0		

Pressure-Temperature

P Bar

