



GLOBE VALVES

Cast Iron & Carbon Steel

DN 15 - 200 PN16 & (PN40 Carbon Steel)

Fig. GV116 & GV340

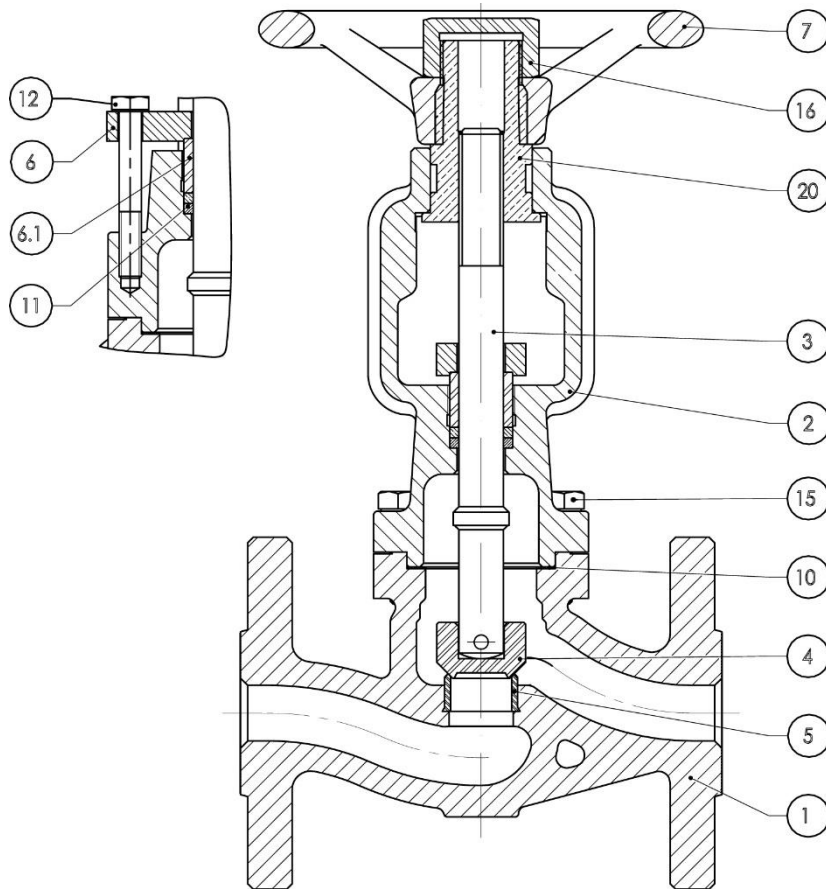
CE

GLOBE VALVES

PN16 & PN40

Parts and materials

Parts and Materials GV116 PN16

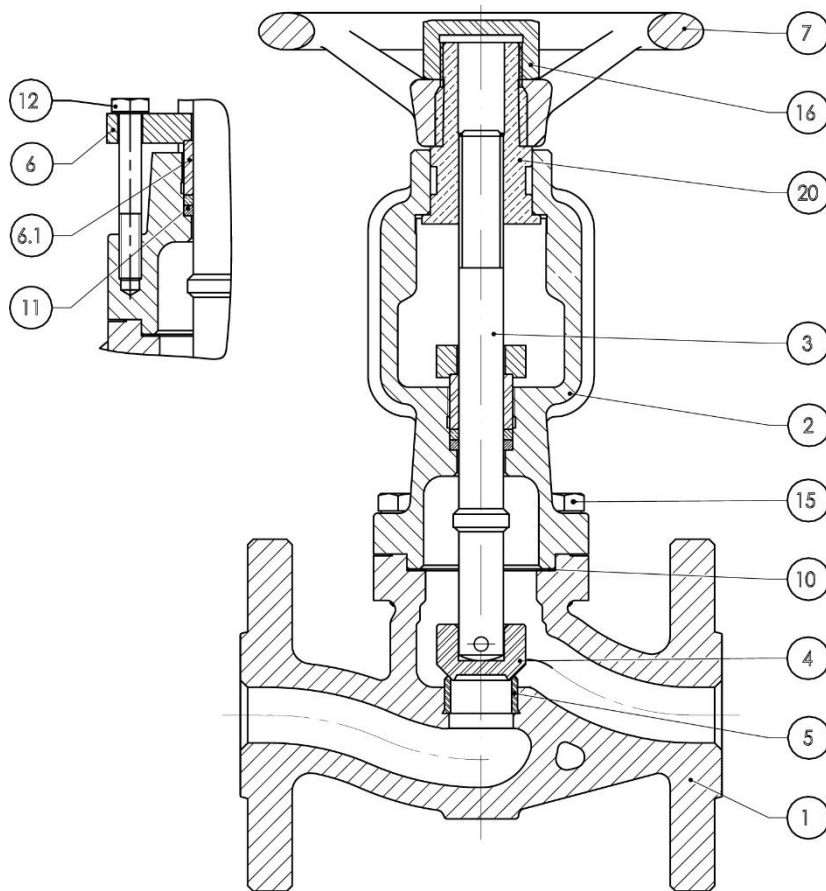


| Item | Description | Material Fig. GV 116 PN16 | | |
|------|------------------|---------------------------|----------------|-----------------|
| | | DN15 to DN 50 | DN65 to DN 100 | DN125 to DN 200 |
| 1 | Body | EN-GJS400-18 | | 1,0619 |
| 2 | Bonnet | 1,0619 | EN-GJS400-18 | EN-JGL250 |
| 3 | Spindle | X 12 CrNi S 18 8 | | |
| 4 | Disc | X 20 Cr 13 | | |
| 5 | Seat | X 22 CrNi 17 | | |
| 6 | Gland | EN-10025 | | |
| 6.1 | Gland Retainer | EN-10087 | | |
| 7 | Handw heel | EN-GJS 400 | | |
| 10 | Gasket | Graphite | | |
| 11 | Packing | Graphite | | |
| 12 | Gland Bolts | 5.6 | | |
| 15 | Bolts | 5,6 | | |
| 16 | Handw heel nut | EN-10087 | | |
| 20 | Threader Bushing | EN-10087 | | |

GLOBE VALVES PN16 & PN40

Parts and materials

Parts and Materials GV340 PN40



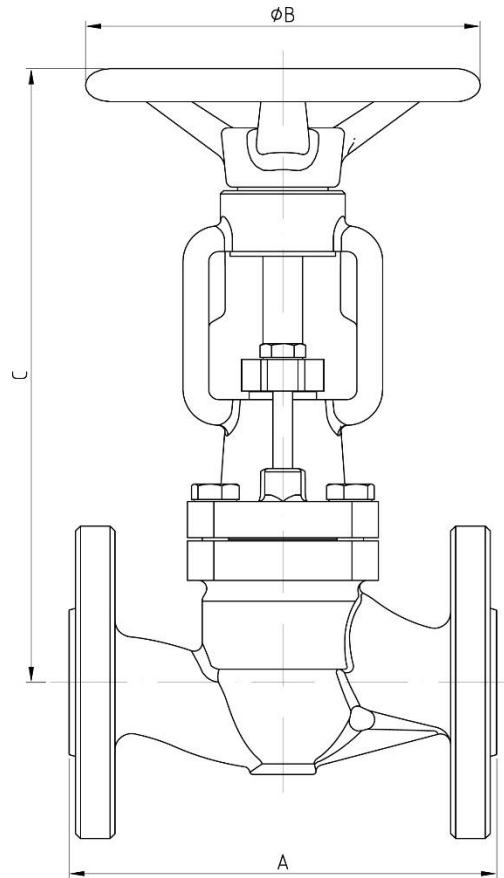
| Item | Description | Material Fig. GV 340 PN40 |
|------|------------------|---------------------------|
| | | DN15 to DN 200 |
| 1 | Body | 1,0619 |
| 2 | Bonnet | 1,0619 |
| 3 | Spindle | X 12 CrNi S 18 8 |
| 4 | Disc | X 20 Cr 13 |
| 5 | Seat | X 22 CrNi 17 |
| 6 | Gland | EN-10025 |
| 6.1 | Gland Retainer | EN-10087 |
| 7 | Handwheel | EN-GJS 400 |
| 10 | Gasket | Graphite |
| 11 | Packing | Graphite |
| 12 | Gland Bolts | 5.6 |
| 15 | Bolts | C35E |
| 16 | Handwheel nut | EN-10087 |
| 20 | Threader Bushing | EN-10087 |

GLOBE VALVES

PN16 & PN40

General dimensions

General Dimensions



| DN | A | C | ϕB | Kv | Weight | |
|-----|-----|-----|----------|-----|--------|------|
| | | | | | B116 | B340 |
| 15 | 130 | 190 | 140 | 4 | 3 | 3,5 |
| 20 | 150 | 195 | 140 | 7 | 3,9 | 4,3 |
| 25 | 160 | 220 | 140 | 11 | 4,3 | 6,3 |
| 32 | 180 | 219 | 140 | 19 | 5,6 | 7,3 |
| 40 | 200 | 254 | 180 | 30 | 10,5 | 12,5 |
| 50 | 230 | 265 | 180 | 46 | 12,5 | 15 |
| 65 | 290 | 328 | 200 | 70 | 20,5 | 22,5 |
| 80 | 310 | 341 | 200 | 115 | 26 | 27,5 |
| 100 | 350 | 376 | 250 | 150 | 39 | 42 |
| 125 | 400 | 488 | 330 | 220 | 52,5 | 67 |
| 150 | 480 | 531 | 330 | 310 | 80 | 99 |
| 200 | 600 | 663 | 400 | 675 | 152 | 200 |

(*) Dimensions in mm and weight in kg.

Note:

Dimensions not subject to International Standards can vary in $\pm 10\%$. ICP reserves the right to change those dimensions without notice, due to they do not affect integrity and performance of the valves.

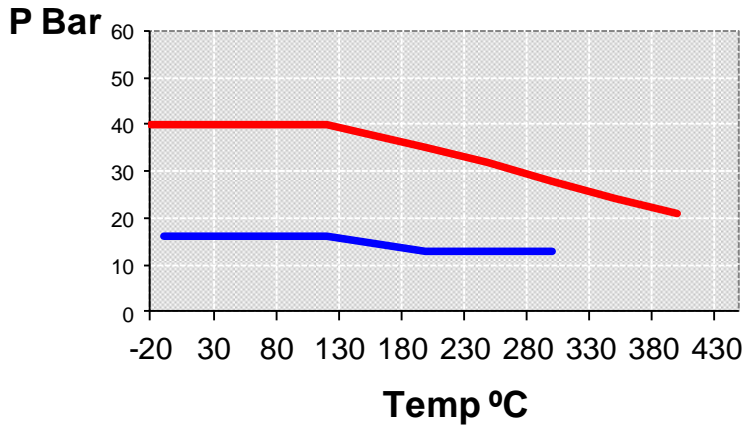
GLOBE VALVES PN16 & PN40

General Characteristics, P&T Rating

General Characteristics

| Figure | Material | PN |
|-------------------------|----------------|----|
| G116 | EN-GJL-250 | 16 |
| G340 | 10.619 | 40 |
| DESIGN STANDARDS | | |
| Valve Design | DIN 3840 | |
| Flanged dimensions | EN 1092 | |
| Face to Face Dimensions | EN 558 Series1 | |
| Visual Inspection | MSS SP-55 | |
| Marking | EN 19 | |

— EN-GJL-25 — 1.0619



Main Characteristics:

- *Asbestos Free packing and seals
- **Non-rising spinle!!*
- *Position Indicator
- *"Back" seat device!!

- Applications:**
- No corrosive or no toxic fluids
 - Steam
 - Hydrocarbons

Options:
(On request)

- A** Throttling plug
- B** Disc with soft seat
- C** Throttling plug+Soft seat

GLOBE VALVES PN16 & PN40

Optional construction

