



Forged Gate Valves Class 150/300
Fig. C150RF & C300RF
Size 1/2" – 2" (DN 15 – 50)



FIG. C150RF
FIG. C300RF
GATE VALVE

API, MSS SP & ASME B16.34
Connections according to:
ASME B16.5
CE

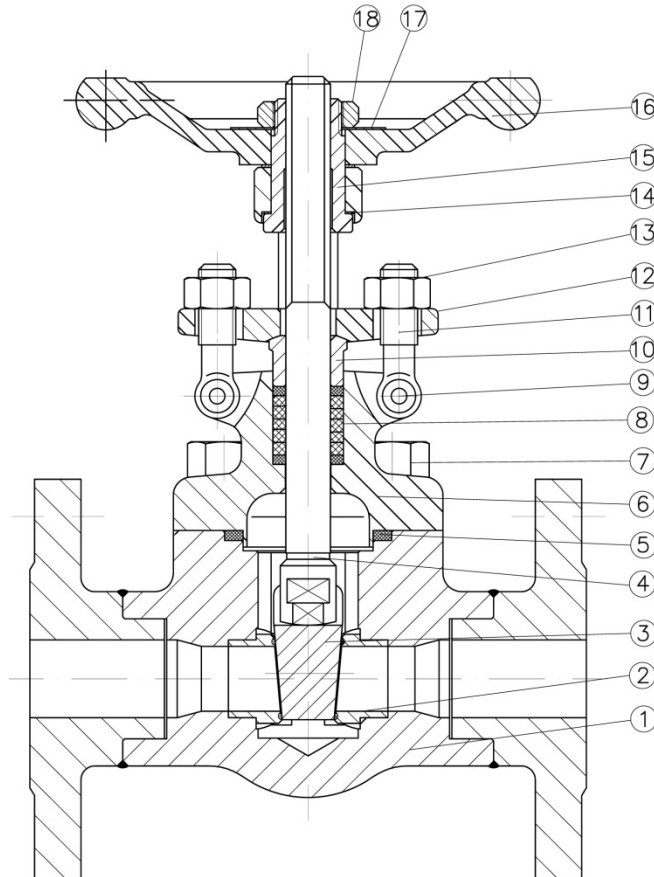


Forged Gate Valves Class 150/300

Fig. C150RF & C300RF

Parts and Materials

Parts and materials



| Item | Description | Material | |
|------|---------------|----------------------------------|---------------------|
| | | Carbon Steel | Stainless Steel |
| 1 | Body | A 105 | A 182 F316L |
| 2 | Seat | A 182 F6A + STL | A 182 F316L + STL |
| 3 | Gate | A 182 F6A + STL | A 182 F316L |
| 4 | Stem | AISI 410 | A 182 F316L |
| 5 | Gasket | AISI 304 + Graphite | AISI 316 + Graphite |
| 6 | Bonnet | A 105 | A 182 F316L |
| 7 | Bolt | A 193 B7 | A 193 B8M |
| 8 | Packing | Flexible Graphite + Carbon Fibre | |
| 9 | Pin | AISI 420 | AISI 304 |
| 10 | Packing Gland | AISI 420 | AISI 316L |
| 11 | Eye Bolt | A 193 B8 | A 193 B8M |
| 12 | Gland Flange | A 105 | A 182 F316L |
| 13 | Hex Nut | A 194 8 | A 194 8M |
| 14 | Washer | AISI 410 | |
| 15 | Yoke Nut | AISI 410 | |
| 16 | Hand wheel | A 197 | |
| 17 | Nameplate | Aluminium | |
| 18 | Hex Nut | 1035 Zinc Plated | |

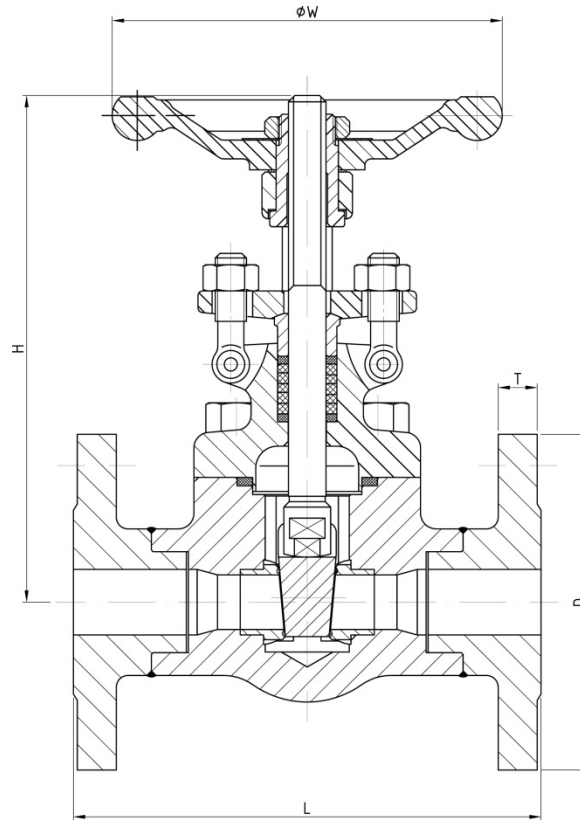


Forged Gate Valves Class 150/300

Fig. C150RF & C300RF

Dimensions

Dimensions



Series C150RF (Class 150)

| SIZE | L | D | T | W | H | WEIGHT |
|-------------|-----|-----|------|-----|-----|--------|
| ½" (DN 15) | 108 | 89 | 11,5 | 100 | 166 | 3,3 |
| ¾" (DN 20) | 117 | 98 | 13 | 100 | 163 | 4 |
| 1" (DN 25) | 127 | 108 | 14,5 | 125 | 193 | 6 |
| 1¼" (DN 32) | 140 | 118 | 16 | 160 | 230 | 7 |
| 1½" (DN 40) | 165 | 127 | 17,5 | 160 | 246 | 10 |
| 2" (DN 50) | 178 | 152 | 19,5 | 180 | 263 | 16 |

(*) Dimensions in mm and weight in kg.

Series C300RF (Class 300)

| SIZE | L | D | T | W | H | WEIGHT |
|-------------|-----|-----|------|-----|-----|--------|
| ½" (DN 15) | 140 | 95 | 14,5 | 100 | 166 | 4,8 |
| ¾" (DN 20) | 152 | 118 | 16 | 100 | 163 | 6,2 |
| 1" (DN 25) | 165 | 124 | 17,5 | 125 | 193 | 9,3 |
| 1¼" (DN 32) | 178 | 133 | 19,5 | 160 | 230 | 14 |
| 1½" (DN 40) | 190 | 156 | 21 | 160 | 246 | 15,5 |
| 2" (DN 50) | 216 | 165 | 22,5 | 180 | 263 | 23 |

(*) Dimensions in mm and weight in kg.

Note:

Dimensions not subject to International Standards can vary in $\pm 10\%$. ICP reserves the right to change those dimensions without notice, due to they do not affect integrity and performance of the valves.

ICP VALVES S.A.
E-Mail: sales@icp-valves.com
Internet: www.icp-valves.com

Authorized Distributor



Forged Gate Valves Class 150/300 Fig. C150RF & C300RF

General Characteristics, Torque, KV, P&T Rating

| GENERAL CHARACTERISTICS | Forged Gate Valve | | |
|-------------------------------|-------------------|--------------|--|
| DESIGN STANDARDS | | | |
| Valves design | API 602 | ASME B 16.34 | |
| Connections | ANSI B 1.20.1 | ANSI B 16.11 | |
| Face to face dimensions | ASME B16,10 | | |
| TESTS AND CERTIFICATES | | | |
| Quality Assurance | API 598 | | |
| | ISO 9001 | | |
| Pressure testing | EN 12266-1 | | |
| Marking | EN 19 | | |

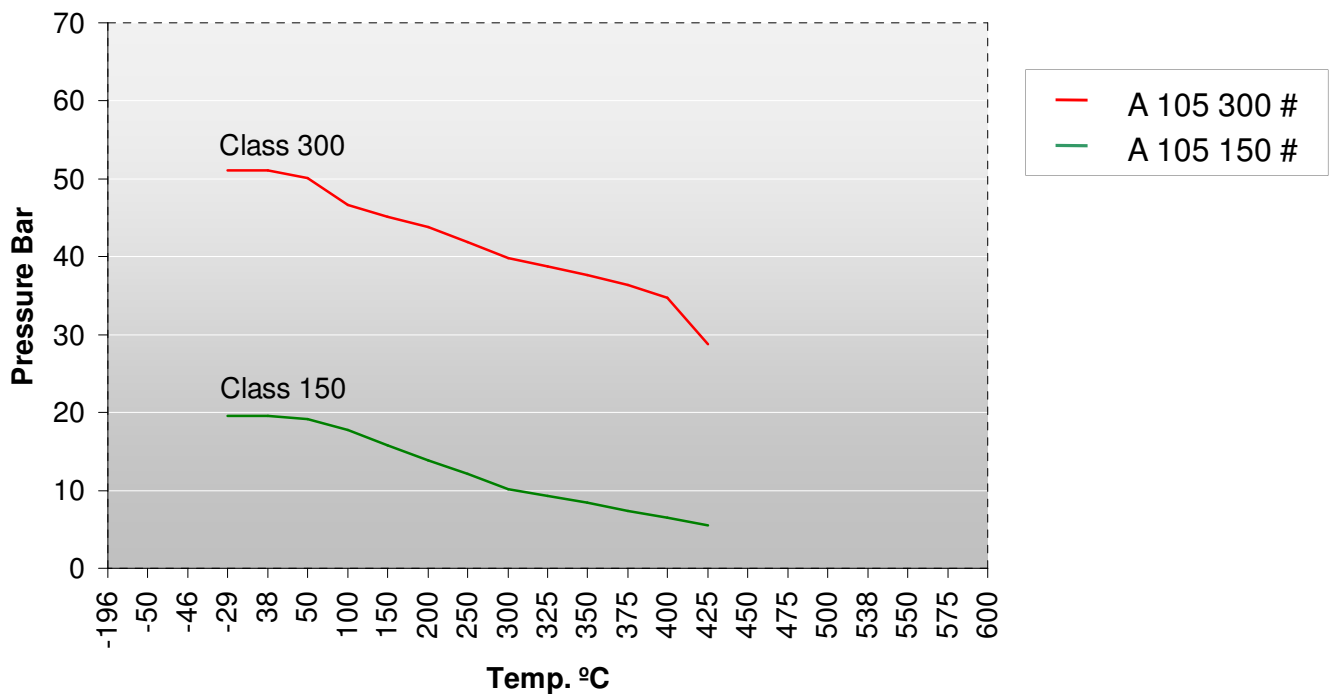
(*) Welded flanges

Kv Values in m3/h

| VALVE SIZE | Kv | VALVE SIZE | Kv |
|------------|------|-------------|------|
| ½" (DN 15) | 5,6 | 1¼" (DN 32) | 38,9 |
| ¾" (DN 20) | 9,6 | 1½" (DN 40) | 57,9 |
| 1" (DN 25) | 21,6 | 2" (DN 50) | 98,2 |

Pressure-Temperature

A105





Forged Gate Valves Class 150/300 Fig. C150RF & C300RF

General Characteristics, Torque, KV, P&T Rating

Pressure-Temperature

A182 F316L

