



BELLOWS SEALED TYPE GLOBE VALVES

Cast Iron, Nodular Cast Iron & Carbon Steel

DN 15 - 200 PN16, PN25 & (PN40 Carbon Steel)

Fig. BGV116, BGV216, BGV225 & BGV340





BELLOWS SEALED TYPE GLOBE VALVES PN16, PN25 & PN40

General description

General Description

ICP range of bellows sealed type globe valves provides an environmentally sound solution to on/off stop valve needs

The bellows sealed design ensures stem seal leaks are totally eliminated, meeting the most stringent worldwide emissions legislations.

This capability is vital to maintain plant safety. Save energy and promote a cleaner environment.

Main Characteristics

- * Two ply bellows
- * Non-rising spinle
- * Position Indicator
- * Anti-turn device to avoid the risk of torsion of bellows
- * Bellows welded on to the spindle
- * **Long Life**

The bellows sealed type globe valves offers
 ""Not Problems""! In operation and the fatigue
 life of the bellows is designed with the latest
 international standards.

In the unlikely event of a bellows failure, a
 precautionally second seal exists to prevent leaks.

- * **Free Maintenance**

Not only do bellows sealed valves cut out stem seal
 emissions, they are virtually maintenance free.

Should you wish to change the internals, the
 procedure is rapid and simple.

All gaskets in our valves are asbestos free.

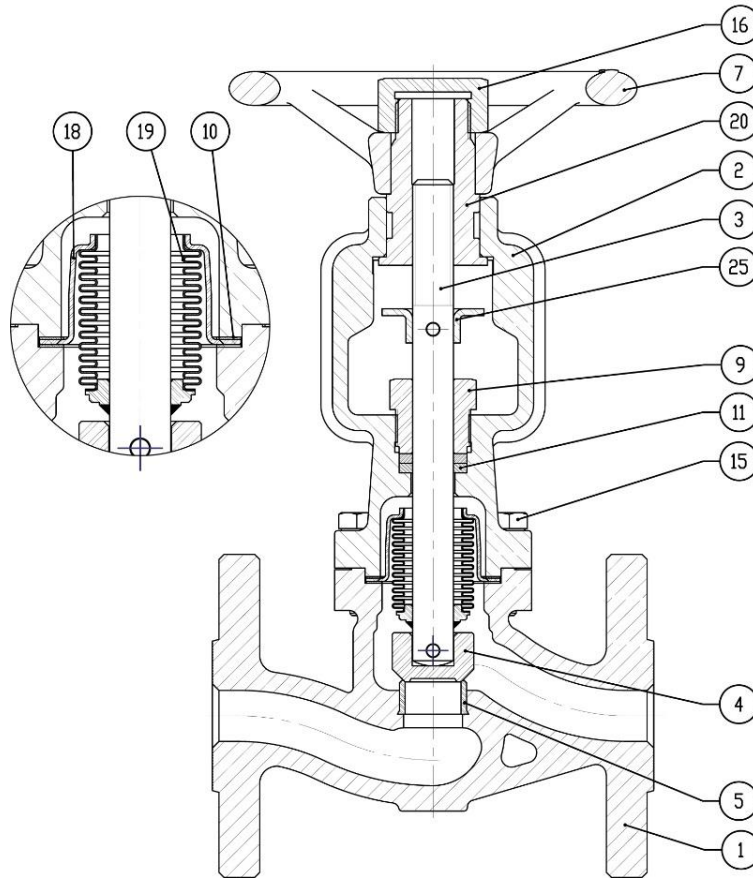
User Benefits

****Eliminates fugitive emissions.... *Easy to operate....*Long valve life....*No ongoing maintenance required***

BELLOWS SEALED TYPE GLOBE VALVES PN16, PN25 & PN40

Parts and materials

Parts and Materials Fig. BGV 116 PN16

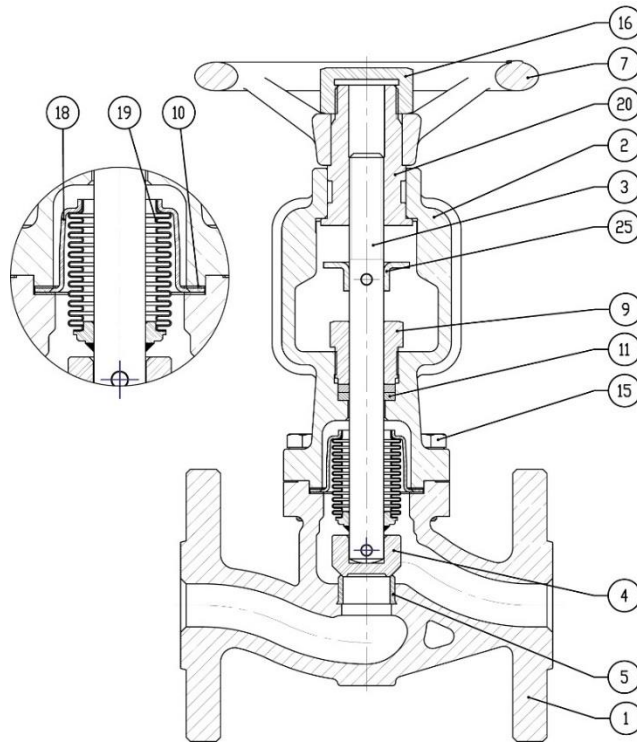


Item	Description	Material Fig. BGV 116 PN16		
		DN15 to DN50	DN 65 to DN 100	DN 125 to DN200
1	Body	EN-GJS400-18		1,0619
2	Bonnet	1,0619	EN-GJS400-18	EN-GJL250
3	Spindle	x 12 CrNi S 18.8		
4	Disc	X 20 Cr 13		
5	Seat	X 22 CrNi 17		
7	Handw heel	EN-GJS 400		
9	Gland Nut	EN-10087		
10	Gasket	Graphite		
11	Packing	Graphite		
15	Bolts	5.6		
16	Handw heel nut	EN-10087		
18	Hood	X 12 CrNi S 18.8		
19	Bellow	1.4571		
20	Threader Bushing	EN-10087		
25	Anti Turn Device	EN-10025		

BELLOWS SEALED TYPE GLOBE VALVES PN16, PN25 & PN40

Parts and materials

Parts and Materials BGV 216 PN16

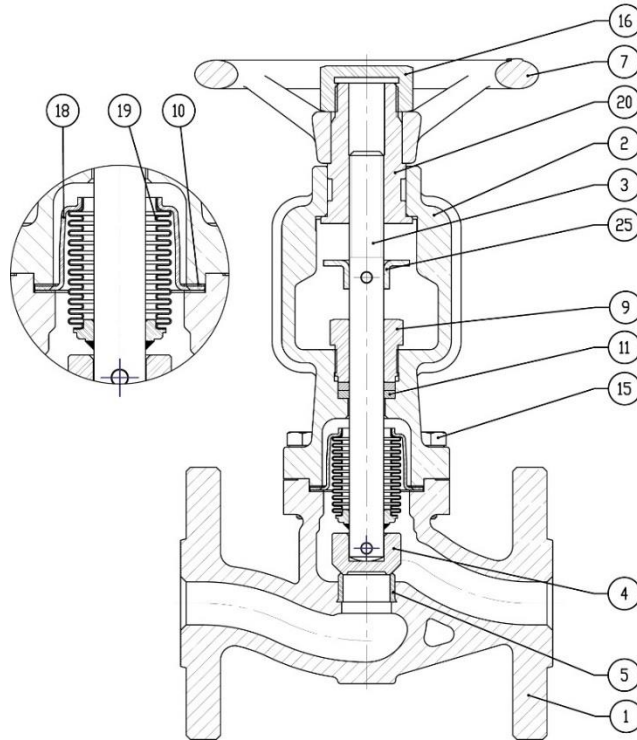


Item	Description	Material Fig. BGV 216 PN16	
		DN65 to DN100	DN 125 to DN 200
1	Body	EN-GJS400-18	1,0619
2	Bonnet	EN-GJS400-18	
3	Spindle	x 12 CrNi S 18.8	
4	Disc	X 20 Cr 13	
5	Seat	X 22 CrNi 17	
7	Handw heel	EN-GJS 400	
9	Gland Nut	EN-10087	
10	Gasket	Graphite	
11	Packing	Graphite	
15	Bolts	C35E	
16	Handw heel nut	EN-10087	
18	Hood	X 12 CrNi S 18 8	
19	Bellow	1.4571	
20	Threader Bushing	EN-10087	
25	Anti Turn Device	EN-10025	

BELLOWS SEALED TYPE GLOBE VALVES PN16, PN25 & PN40

Parts and materials

Parts and Materials BGV 225 PN25

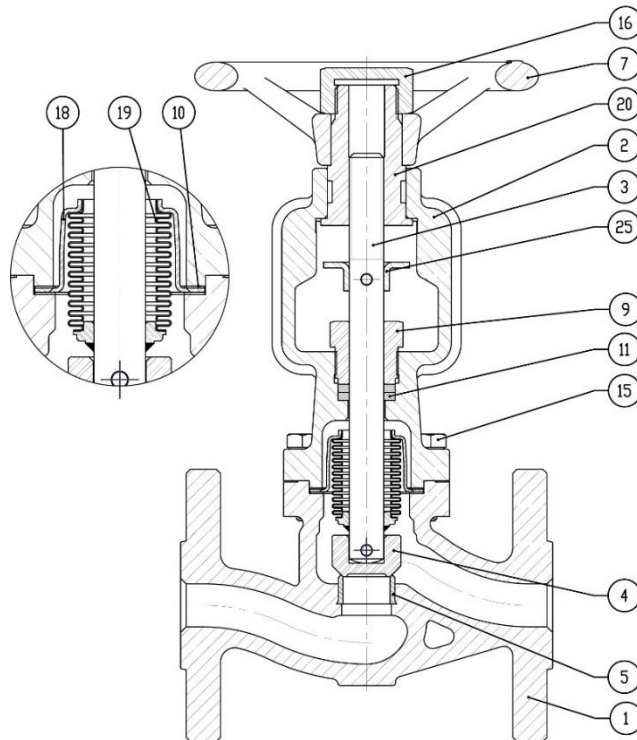


Item	Description	Material Fig. BGV 225 PN25		
		DN15 to DN50	DN 65 to DN 100	DN 125 to DN200
1	Body	EN-GJS400-18		1,0619
2	Bonnet	1,0619	EN-GJS400-18	
3	Spindle	x 12 CrNi S 18.8		
4	Disc	X 20 Cr 13		
5	Seat	X 22 CrNi 17		
7	Handw heel	EN-GJS 400		
9	Gland Nut	EN-10087		
10	Gasket	Graphite		
11	Packing	Graphite		
15	Bolts	C35E		
16	Handw heel nut	EN-10087		
18	Hood	X 12 CrNi S 18.8		
19	Bellow	1.4571		
20	Threader Bushing	EN-10087		
25	Anti Turn Device	EN-10025		

BELLOWS SEALED TYPE GLOBE VALVES PN16, PN25 & PN40

Parts and materials

Parts and Materials BGV 340 PN40



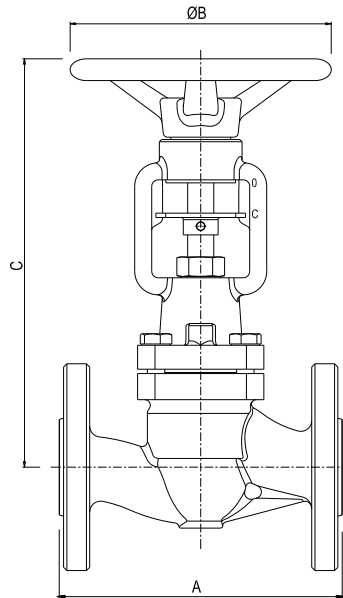
Item	Description	Material Fig. BGV 340 PN40 DN15 to DN200
1	Body	1,0619
2	Bonnet	1,0619
3	Spindle	x 12 CrNi S 18.8
4	Disc	X 20 Cr 13
5	Seat	X 22 CrNi 17
7	Handw heel	EN-GJS 400
9	Gland Nut	EN-10087
10	Gasket	Graphite
11	Packing	Graphite
15	Bolts	C35E
16	Handw heel nut	EN-10087
18	Hood	X 12 CrNi S 18 8
19	Bellow	1.4571
20	Threader Bushing	EN-10087
25	Anti Turn Device	EN-10025

BELLOWS SEALED TYPE GLOBE VALVES

PN16, PN25 & PN40

General dimensions

General Dimensions



DN	A	C	ØB	Kv	Weight			
					BGV116	BGV216	BGV225	BGV340
15	130	190	140	3,8	3,2	3,2	3,7	
20	150	195	140	7	4,4	4,4	4,8	
25	160	220	140	10	4,8	4,8	6,8	
32	180	219	140	19	6,1	6,3	7,8	
40	200	254	180	35	11	11	13	
50	230	265	180	43	13	13	15,5	
65	290	328	200	60	21	21,3	21,3	23
80	310	341	200	110	26,4	26,4	27	28
100	350	376	250	146	40	40	41	43
125	400	488	330	210	53,5	53,5	54,5	68
150	480	531	330	300	81	84	85	100
200	600	663	400	670	154	157	162	202
250	730	763	500	1025	180	185	185	220

(*) Dimensions in mm and weight in kg.

Note:

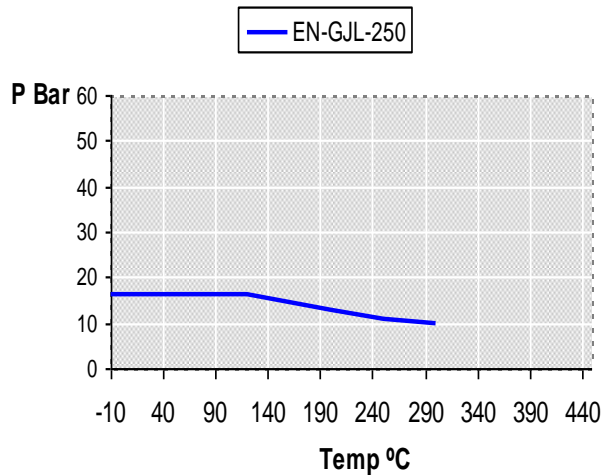
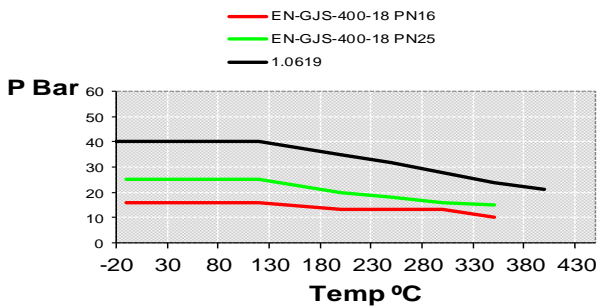
Dimensions not subject to International Standards can vary in $\pm 10\%$. ICP reserves the right to change those dimensions without notice, due to they do not affect integrity and performance of the valves.

BELLOWS SEALED TYPE GLOBE VALVES PN16, PN25 & PN40

General Characteristics, P&T Rating

General Characteristics

Figure	Material	PN
B116	EN-GJL-250	16
B216	EN-GJS-400-18	16
B225	EN-GJS-400-18	25
B340	1.0619	40
DESIGN STANDARDS		
Valve Design	DIN 3840	
Flanged dimensions	EN 1092	
Face to Face Dimensions	EN 558 Series 1	
Visual Inspection	MSS SP-55	
Marking	EN 19	



Applications:

Options:

(On request)

- A** Throttling plug
- B** Disc with soft seat
- C** Throttling plug+Soft seat

**BELLOWS SEALED TYPE GLOBE VALVES
PN16, PN25 & PN40**

Optional construction

