



Two Pieces Ball Valves

1000 WOG (63 bar)

Size 1/4" – 4" (DN 10 - 100) Stainless Steel



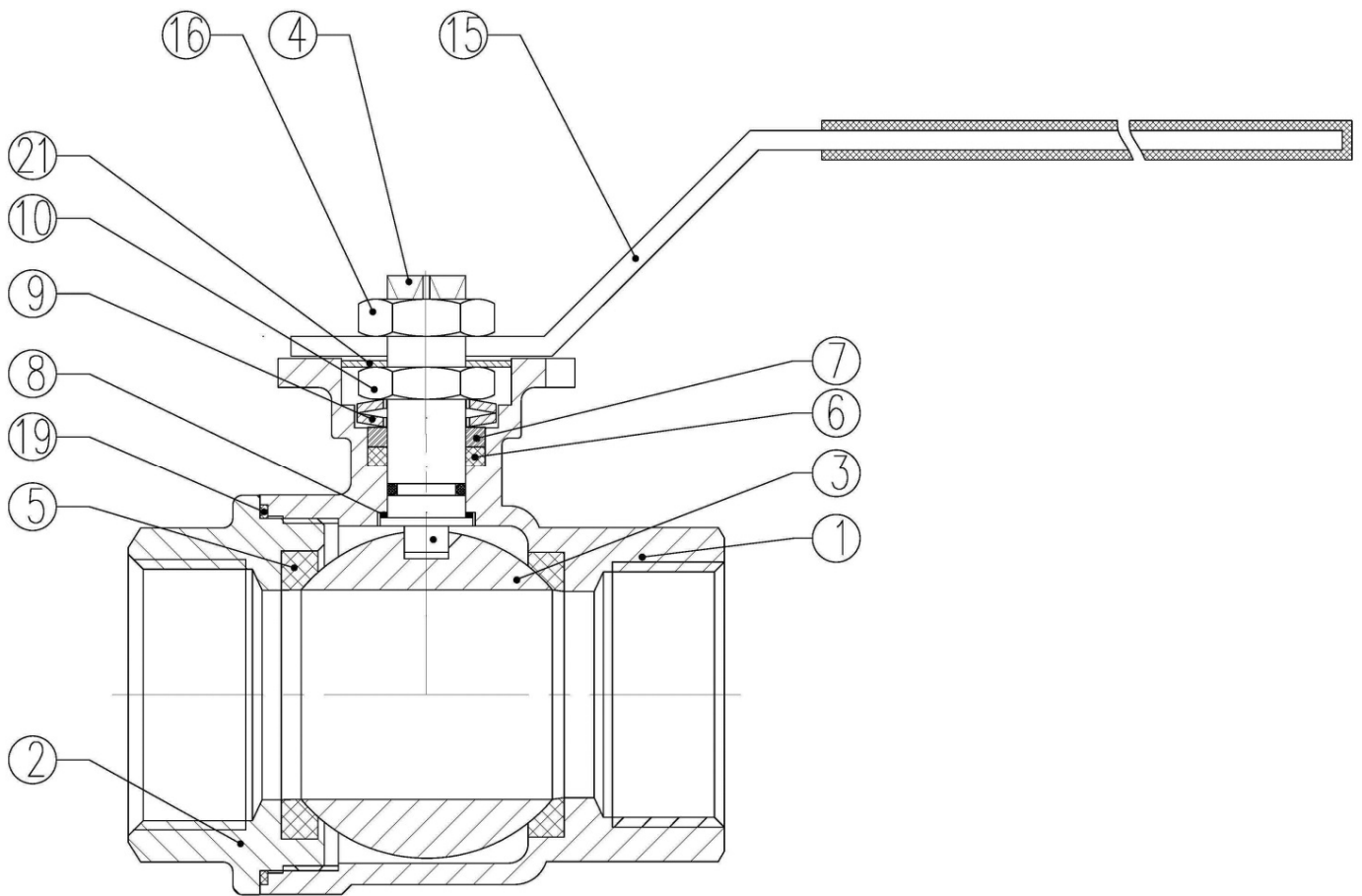
Serie 2001IMF FULL BORE

Threaded according:
DIN 259/2999 (GAS)



Two Pieces Ball Valves 1000 WOG (63 bar)

Parts and materials

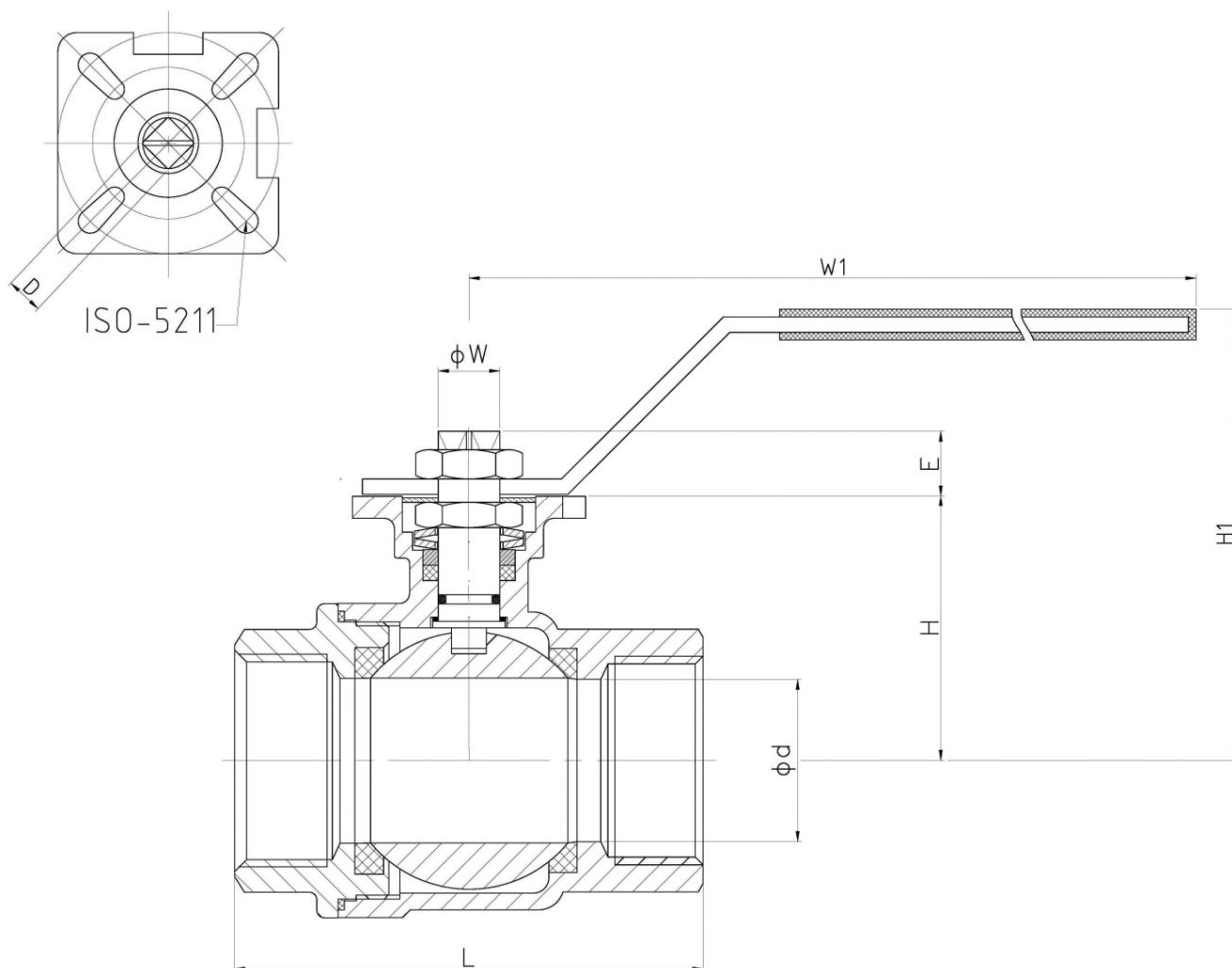


Item	Description	Material
1	Body	ASTMA351 CF8M
2	Body connector	ASTMA351 CF8M
3	Ball	AISI 316
4	Stem	AISI 316
5	Seat ring	PTFE
6	Stem packing	PTFE
7	Ring	AISI 304
8	Seat thrust seal	PTFE
9	Belleville washer	AISI 304
10	Gland Nut	AISI 304
15	Handle	AISI 304+PVC
16	Handle nut	AISI 304
19	Body seal	PTFE
21	Washer	AISI 304

Two Pieces Ball Valves

1000 WOG (63 bar)

Dimensions



Dimensions

SIZE	NPS	Ød	L	W1	H1	H	E	D	ØW	ISO 5211	WEIGHT
1/4" (DN 10)	1/4"	11,6	48	140	70	37	9	9	12	F04/03	0,325
3/8" (DN 12)	3/8"	12,5	48	140	70	37	9	9	12	F04/03	0,335
1/2" (DN 15)	1/2"	15	58	140	72	39	9	9	12	F04/03	0,385
3/4" (DN 20)	3/4"	20	65	140	76	43	9	9	12	F04/03	0,495
1" (DN 25)	1"	25	77	160	84	46	11	11	14	F05/04	0,77
1 1/4" (DN 32)	1 1/4"	32	90	160	89	51	11	11	14	F05/04	1,135
1 1/2" (DN 40)	1 1/2"	38	98,6	185	99	59,7	14	14	18	F07/05	1,71
2" (DN 50)	2"	50	121	185	109	69,5	14	14	18	F07/05	2,705
2 1/2" (DN 65)	2 1/2"	64	155,6	350	122	92	17	17	22	F10/07	5,25
3" (DN 80)	3"	76	183	350	130	101	17	17	22	F10/07	7,575
4" (DN 100)	4"	94	240	350	166	133	22	22	28	F12/10	18,635

(*) Dimensions in mm and weight in kg.

Note:

Dimensions not subject to International Standards can vary in $\pm 10\%$. ICP reserves the right to change those dimensions without notice, due to they do not affect integrity and performance of the valves.



Two Pieces Ball Valves 1000 WOG (63 bar)

Torque, Kv, P&T Rating

Torque Values in Nm

VALVE SIZE	AT DIFFERENTIAL PRESSURE		VALVE SIZE	AT DIFFERENTIAL PRESSURE	
	63 bar			63 bar	
¼" (DN 8)	4		1½" (DN 40)	25	
⅜" (DN 10)	4		2" (DN 50)	30	
½" (DN 15)	5		2½" (DN 65)	36	
¾" (DN 20)	8		3" (DN 80)	60	
1" (DN 25)	10		4" (DN 100)	95	
1¼" (DN 32)	14				

Kv Values in m³/h

VALVE SIZE	Kv	VALVE SIZE	Kv
¼" (DN 8)	10	1½" (DN 40)	275
⅜" (DN 10)	12	2" (DN 50)	480
½" (DN 15)	38	2½" (DN 65)	797
¾" (DN 20)	66	3" (DN 80)	1210
1" (DN 25)	105	4" (DN 100)	1300
1¼" (DN 32)	190		

Pressure-Temperature

